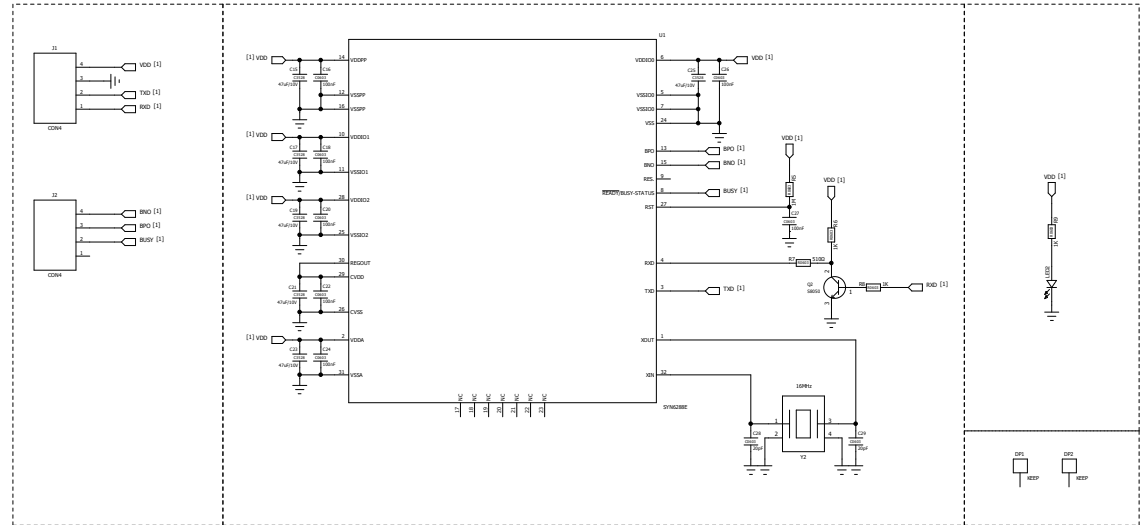


REVISION RECORD			
LT#	ECO NO.	APPROVED	DATE



DESIGNER:		DATE:		DEPARTMENT:	
EOL:		DATE:		Hardware RD.	
APPROVED:		DATE:		COMPANY:	
				ZHT	
				CONFIDENTIAL AND PROPRIETARY	
				SHEET: 1 OF 19	